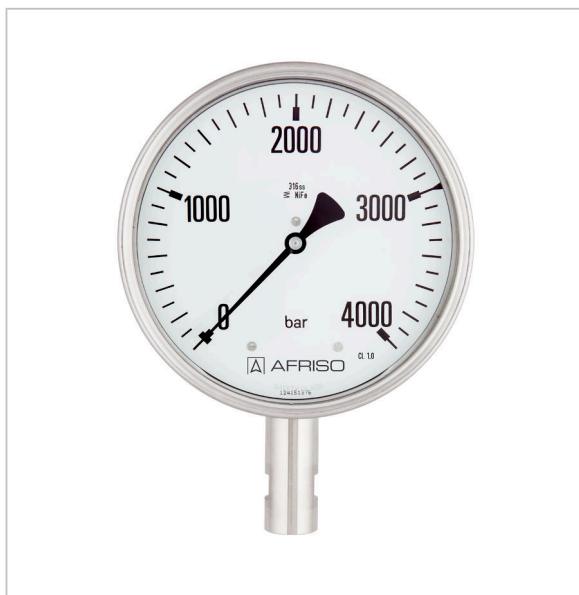




## Bourdon tube pressure gauges for high pressure Type D4



### Benefits

- For pressure ranges up to 4,000 bar
- Housing with solid baffle wall and blow-out

### Application

For measurement of extremely high pressures in gaseous and liquid corrosive media which are not highly viscous and do not crystallise; also suitable for corrosive atmospheres.

### Technical specifications

#### Type

D4

#### Nominal size

100 – 160

#### Accuracy class (EN 837-1/6)

1,0

#### Ranges

0/2,500 bar

0/4,000 bar

### Standard version

#### Connection

Stainless steel 316 L, bottom

HP connection 1/4" with female thread M16 x 1.5 with sealing cone 60°

#### Measuring element

Bourdon tube, NiFe alloy

Helical tube

#### Movement

Stainless steel

#### Dial

Aluminium, white

Scaling black

#### Operating temperature range

Medium: Max. 100 °C

Ambient: -20/+60 °C

#### Temperature performance

Indication error when the temperature of the measuring system deviates from the normal temperature of 20 °C:  
at rising temperature approx.  $\pm 0.4 \%$ /10 K  
falling temperature approx.  $\pm 0.4 \%$ /10 K  
of full scale value

#### Degree of protection

IP 54 (EN 60529)

#### Pointer

Aluminium, black

#### Housing

Stainless steel 304, with solid baffle wall and blow-out

#### Bayonet type bezel

Stainless steel 304

#### Window

Laminated safety glass

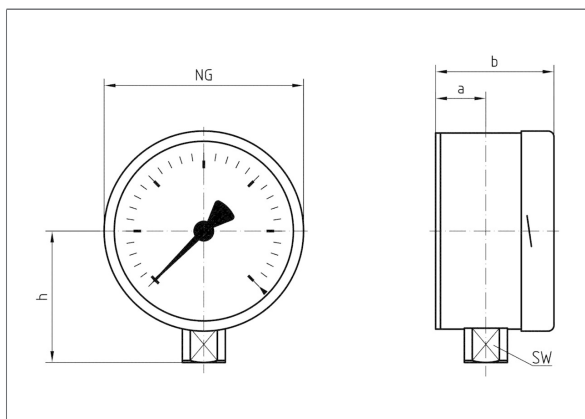


## Options

- Glycerine filling (type D802)
- 3-hole fixing, panel mounting bezel
- HP connection male thread 9/16-18 UNF-2A-LH with sealing cone 60°
- Other process connections

## Technical drawings

### Bottom connection



### Dimensions (mm)

NG	a	b	h	SW
100	27	60	71	22
160	34	78	139	22

## Versions

### RF100HD D402

	Housing $\varnothing$	Connection	Alignment	Housing	Accuracy class	Range	Type	Part no.
	100 mm	HP connection 1/4" with female thread M16 x 1.5	Bottom	Stainless steel 304	1,0	0/2,500 bar	RF100HD D402	85247402
	100 mm	HP connection 1/4" with female thread M16 x 1.5	Bottom	Stainless steel 304	1,0	0/4,000 bar	RF100HD D402	85248402

Blue part no. = in-stock items

### RF160HD D402

	Housing $\varnothing$	Connection	Alignment	Housing	Accuracy class	Range	Type	Part no.
	160 mm	HP connection 1/4" with female thread M16 x 1.5	Bottom	Stainless steel 304	1,0	0/2,500 bar	RF160HD D402	85277402
	160 mm	HP connection 1/4" with female thread M16 x 1.5	Bottom	Stainless steel 304	1,0	0/4,000 bar	RF160HD D402	85278402

Blue part no. = in-stock items



Housing <sup>⊗</sup>	Connection	Alignment	Housing	Accuracy class	Range	Type	Part no.
	male thread M16 x 1.5						

Blue part no. = in-stock items