



## Thermostatic actuator TSA 01



### Benefits

- Integrated stroke indicator
- Slim design (Ø 39 mm)
- Very low design for limited space conditions



### Application

For controlling the hot water valves in radiators or AFRISO distribution manifolds such as ProCalida® MC VA 1C. Actuators convert the electric signal they receive from room thermostats or thermostats with timers into a valve stroke to control the set temperature by means of the flow rate. The actuator is normally closed (NC) and thus immediately ready for automatic operation.

### Versions

	Part no.
Thermostatic actuator TSA 01 AC230V M30x1,5 IG	79061
Thermostatic actuator TSA 01 AC230V M30x1,5 AG	79062

Blue part no. = in-stock items

### Description

Electro-thermostatic actuator with integrated position indication in the cover window, connection cable and union nut for direct connection to the valve or upper part of the manifold. Closed when de-energised.



## Technical specifications

### Operating mode

Closed when de-energised (NC)

### Stroke

> 3.2 mm

### Opening time

5 – 6 min

### Closing dimension

10.8 mm

### Actuating force

Approx. 90 N

### Connection

Part no. 79061: Union nut M30 x 1.5 mm

### Housing

Plastic

Degree of protection: IP 54 (EN 60730-1)

White

### Cable

Grey, H05

Length 1 m

### Operating temperature range

Operation: Max. 100 °C (at valve)

Ambient: 0/50 °C

Storage: -25/+70 °C

Ambient humidity: < 85 % rH, Non-condensing

### Supply voltage

AC 230 V

### Power input

Approx. 2 W

32.2 W

140 mA

### Protection class

II (EN 60730-1)

### Dimensions (H x ø)

Part no. 79061: 63 x 39 mm

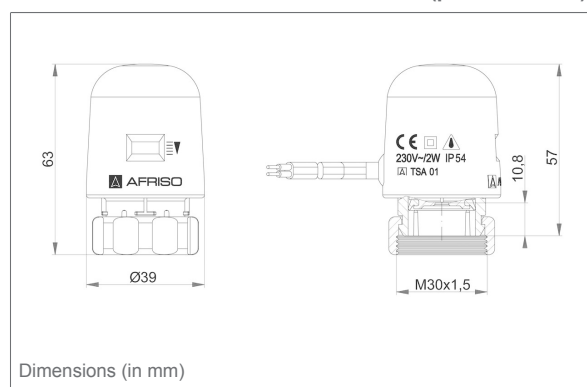
Part no. 79062: 62 x 40 mm

### Weight

109 g

## Technical drawings

TSA-01 with female thread and union nut (part no. 79061)



TSA-01 with male thread (part no. 79062)

