

Digital plug-in display DA 06

Cost-effective local display!



Your benefits

- + Easy and fast mounting via plug-in system
- + No additional power supply required
- + High accuracy
- + Indication scalable as required
- + Housing and display can be rotated at any angle
- + Highly compact design
- + Integrated diagnostics system
- + Open collector switching output / PNP
- + Optional Ex version
- + Retrofitting possible at any time due to input signal 4–20 mA

Application

Cost-effective digital display unit with local indication for all transducers with 4–20 mA output and ISO 4400 (DIN 43650-A) connector. Easy and fast mounting via plug-in system. Optional EX protection (zone 1) and connector M12 x 1, 5-pin.


Typical applications areas

- Mechanical and plant engineering
- Laboratory applications
- Test benches
- Service instrument

Description

DA 06 is mounted between the plug and the junction box and is immediately ready for operation. As the unit is supplied via the 4–20 mA loop, it does not require a separate power supply. The unit is programmed by means of two keys at the front. The following parameters can be set: scaling, decimal point, dampening, switching point and delay. In addition, the unit features a memory for min. and max. values. The settings are not lost in case of a power outage. Out of range values can be displayed as messages (both ends of the range). The integrated diagnostics system continuously monitors all functions of the display. The housing can be turned by 300°, the display by 330°.

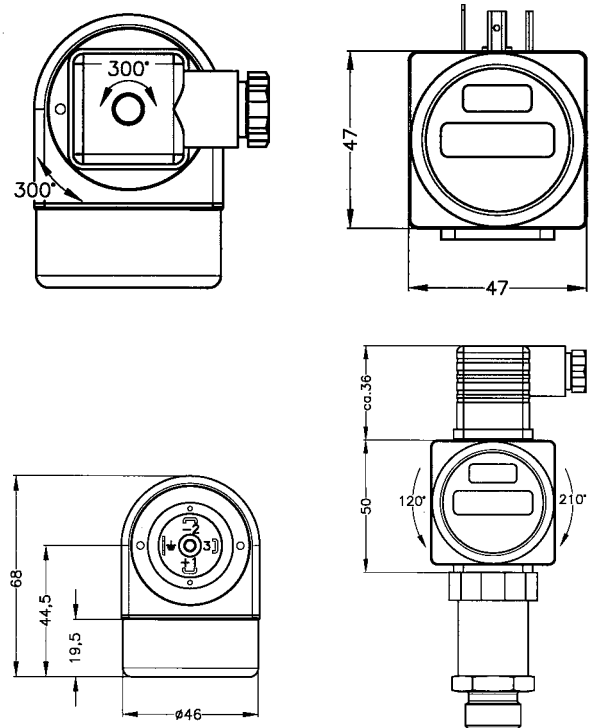
Technical specifications

| | |
|------------------------------------|--|
| Range | 9,999 digit (start and end values scalable as required) |
| Display | 4-digit, 7 mm high, red LED display Display housing can be rotated by 330° |
| Accuracy | 0.1 % ±1 digit |
| Adjustable parameters | Scaling, decimal point, dampening, switching point, delay |
| Min./max. value memory | The highest and lowest values reached during operation can be displayed. |
| Housing | Plastic PA 6.6 / polycarbonate W x H x D: 47 x 47 x 68 mm Housing can be rotated by 300° |
| Degree of protection | IP 65 (EN 60529) |
| Operating temperature range | Ambient/ Electronics: -25/+85 °C Storage: -40/+85 °C For Ex version: -25/+70 °C |
| Electrical connection | Adapter for connectors as per ISO 4400 (DIN 43650-A) |
| Input signal/output signal | 4–20 mA, 2-wire |
| Switching output | 1 open collector (PNP), max. 125 mA (no external power may be supplied for Ex protection) On/off delay: 0 to 100 s |
| CE conformity (EMC) | EMC Directive 2014/30/EU |
| Options | <ul style="list-style-type: none"> ■ EX protection II 2G Ex ia IIC T4 Gb  ■ Electrical connection M12 x 1, 5-pin ■ 3-wire 0–10 V |

Application examples

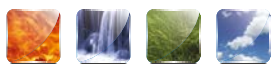


Dimensions (mm)



Your specialist distributor

| Version | Part no. |
|--|--------------|
| DA 06 | 31278 |
| DA 06-Ex | 31279 |
| DA 06 – M12 x 1 | 33223 |
| DA 06-Ex – M12 x 1 | 33222 |
| Wall bracket for DA 06, black plastic | 31284 |



Technology for Environmental Protection
Measuring. Controlling. Monitoring.



AFRISO